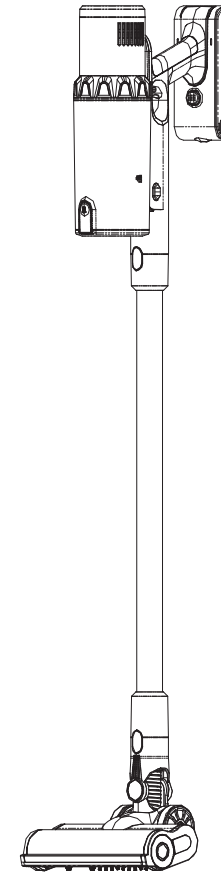


# Corvan® CORDLESS VACUUM CLEANER

K9 Pro/Luxe

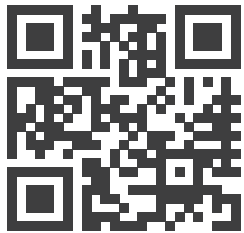


## USER MANUAL ver. 3.24

Please read this manual carefully before using this product.  
We hope you enjoy using this product as much as we enjoyed  
developing it and using it daily.

## Thank you for purchasing a Corvan product.

Please visit [www.corvan.com.my/warranty](http://www.corvan.com.my/warranty) or scan the QR code to register your product's warranty and [www.corvan.com.my/support](http://www.corvan.com.my/support) for video user guide and technical support.



[corvan.com.my/warranty](http://corvan.com.my/warranty)



Scan for support

## Corvan®

Corvan Service Centre  
T01, Atria Shopping Gallery, Damansara Jaya,  
47400 Petaling Jaya, Selangor, Malaysia.  
Tel: 603-7728 8166  
Email: [crm@corvan.com.my](mailto:crm@corvan.com.my)  
[www.corvan.com.my](http://www.corvan.com.my)

Corvan is a registered trademark of Corvan Asia Sdn Bhd.  
COPYRIGHT 2024 ALL RIGHTS RESERVED

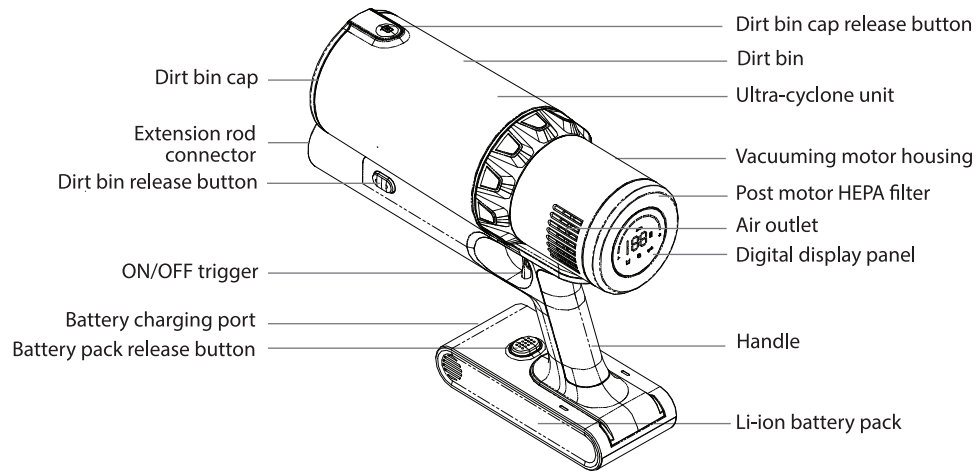
[www.corvan.com.my](http://www.corvan.com.my)

TABLE OF CONTENTS	2
IMPORTANT SAFETY INSTRUCTIONS	3
PRODUCT PARTS	4-5
PREPARING TO USE	6-7
USING	8-9
CLEANING AND MAINTENANCE	10-13
TECHNICAL SPECIFICATIONS	14
TROUBLESHOOTING	15
WARRANTY POLICY	16-17

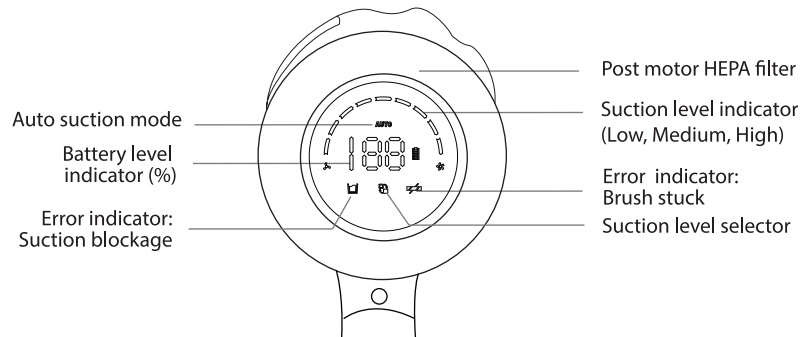
Before using the Corvan cordless vacuum cleaner, please read this user manual carefully.

1. It is essential to carefully review all instructions before using this product.
2. Follow the operation instructions below when using the product.
3. Only use the product in a suitable environment.
4. This product is not intended for use by individuals, including children, with reduced physical, sensory, or mental capacities, or lack of experience and knowledge, unless under supervision by someone responsible for their safety.
5. If the product or power adapter is damaged, return it to the authorized service center for servicing or replacement to prevent personal injury.
6. Children under the age of 8 are not permitted to use this product.
7. Children aged 8 and above may use this product only under adult supervision.
8. This product is not a toy. Exercise caution when using it around children, pets, or plants.
9. To avoid injury or electric shock, do not attempt to repair the product yourself.
10. When charging, connect the power adapter to the wall outlet first, and then to the product's input port.
11. Keep hair, clothing, and body parts away from the brush and suction inlet.
12. Do not vacuum up hot ash, cigarette butts, matches, or flammable liquids such as gasoline.
13. Use caution when using the product on stairs.
14. Do not operate the vacuum without the filter properly installed.
15. This product is intended for domestic use as directed in this manual.
16. If you will be away for an extended period, fully charge the vacuum and then disconnect it from the power source.
17. To prevent electric shock, do not immerse any part of the vacuum in liquid.
18. Use only genuine Corvan spare parts and accessories. Using other types or brands of batteries may cause an explosion, leading to damage and potential injury.
19. Charge the vacuum battery using the voltage rating specified in the product specifications on page 15.  
Store the vacuum in a cool and dry place.
20. Maintain the vacuum regularly and empty the dirt bin to ensure proper operation.
21. Return any faulty or malfunctioning vacuum to the authorized service center.
22. Do not charge the battery or appliance outside the specified temperature range.
23. Charging with an incorrect power adapter rating or at temperatures outside the specified range may damage the battery and increase the risk of fire.
24. To optimize battery life, store the appliance at room temperature between 18°C (64°F) to 28°C (82°F) when not in use. The recommended temperature range for operation and charging is 10°C (50°F) to 30°C (86°F).

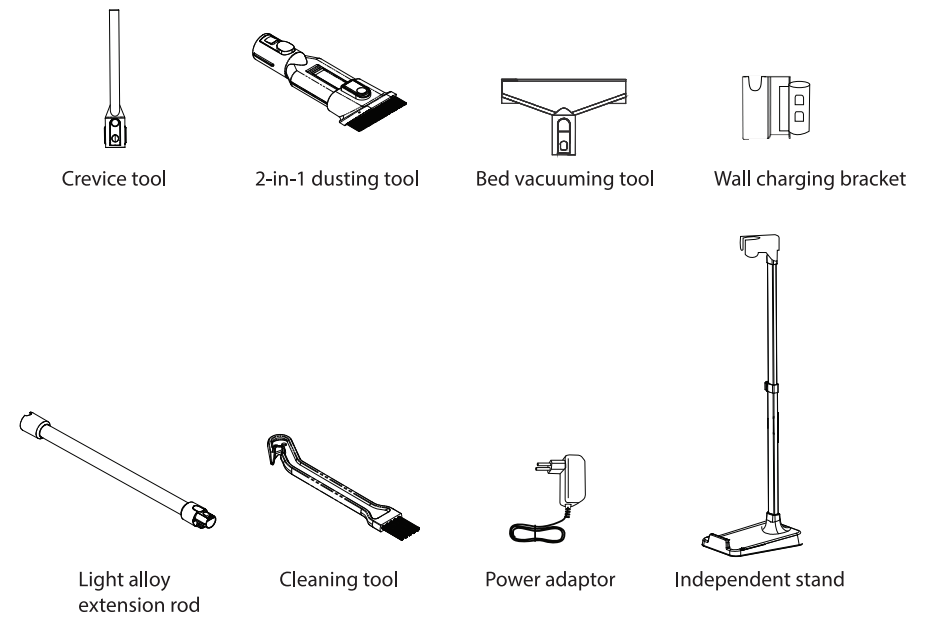
Main Body



Digital Display Panel



Attachment and Accessories



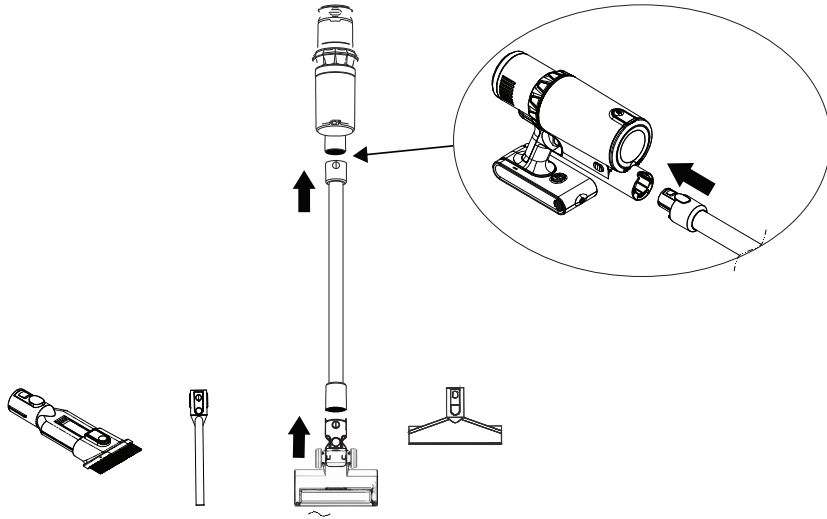
What's in the package

Main body	x 1	Bed vacuuming tool	x 1
Motorized floor brush	x 1	Cleaning tool	x 1
Crevice tool	x 1	Wall bracket	x 1
2-in-1 dusting tool	x 1	Power adaptor/Charger	x 1
Light alloy extension rod	x 1	Independent stand	x 1
		(on applicable model only)	

NOTE: Package contents may differ by country or model due to updates or model variations.

## Main body and accessories/cleaning tools assembly

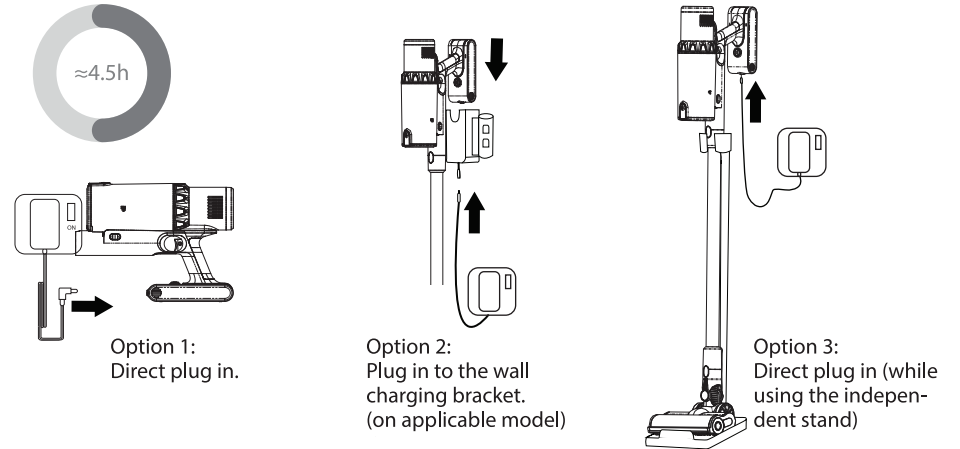
To attach, align and insert until they click. To detach, press release button and pull.



NOTE: All attachments fit the main body and extension rod..

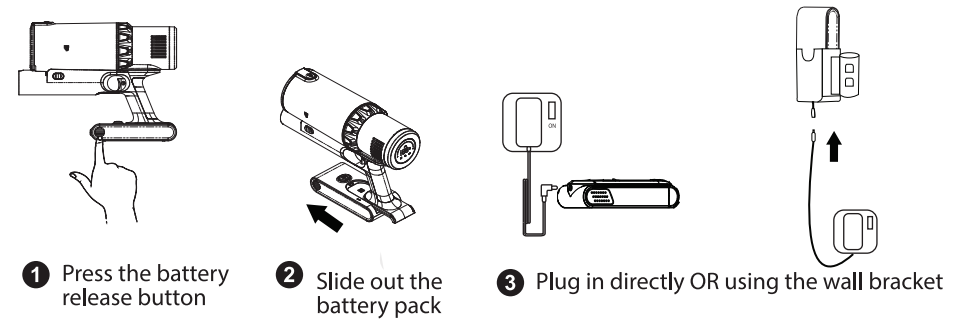
## Charging the battery

1. Charge your vacuum using any of the provided methods.
2. Look for "revving" lights to confirm charging.
3. Full charge takes 3.5 to 4.5 hours from a low battery state.



## Charging the battery independently

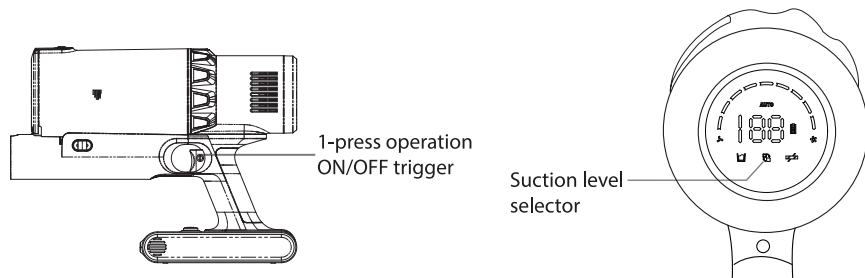
1. You may consider to charge your battery independently if you have an additional battery pack (purchased separately).



NOTE: If the vacuum will not be used for over two months, fully charge the battery before disconnecting the power adapter and store the unit in a cool, dry place.

Turn on the vacuum cleaner

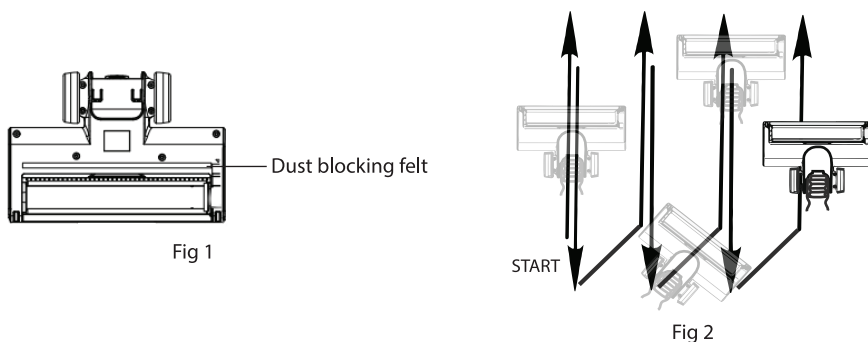
1. Start the vacuum by pulling the ON/OFF trigger. It starts in AUTO mode by default.
2. AUTO mode automatically adjusts the suction level based on detected particles.
3. For manual mode, tap the suction level selector to choose LOW, MEDIUM, or HIGH.
4. Pull the trigger again to turn the vacuum off.



Using the motorized floor brush

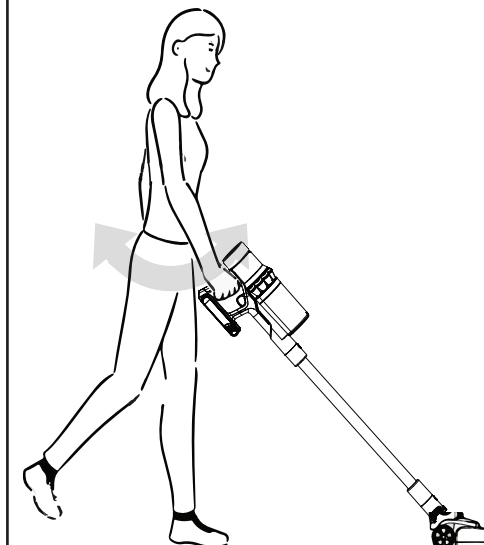
For operating the motorized brush:

1. Use on any hard floor or short pile carpet.
2. If your model has one, use the carpet brush (bristle brush) for carpets.
3. Dust blocking felt underneath aids in dust collection (Fig.1); don't pull the brush backwards towards dirt.
4. Clean by moving forward, then back, and forward in a "ladder pattern (Fig.2)."
5. If the brush gets stuck, the motor will shut off to prevent damage, indicated by a blinking icon.



IMPORTANT TIPS:

1. Stand upright with a slight forward lean, keep your arm bent naturally, and relax shoulders and arms.
2. Push and pull in a pendulum motion, turning the handle gently to change direction (refer to Fig 1).
3. For major direction changes, like vacuuming between chairs, move your legs and body to keep the body aligned with the vacuum.
4. Avoid wrist twisting or excessive shoulder/arm lifting to prevent muscle or joint fatigue/injury.
5. Switch hands when tired to continue cleaning without strain

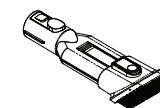


**WARNING!** Do not prop the vacuum in an upright position against any surfaces such as walls, tables, or cabinets. This could cause damage if the vacuum slips and falls.

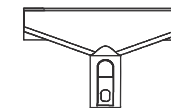
Using other accessories



For narrow and deep spaces.



For small and/or uneven areas (e.g. car interior, keypads, etc)



For fabric, upholstery, mattress, cushion, etc.

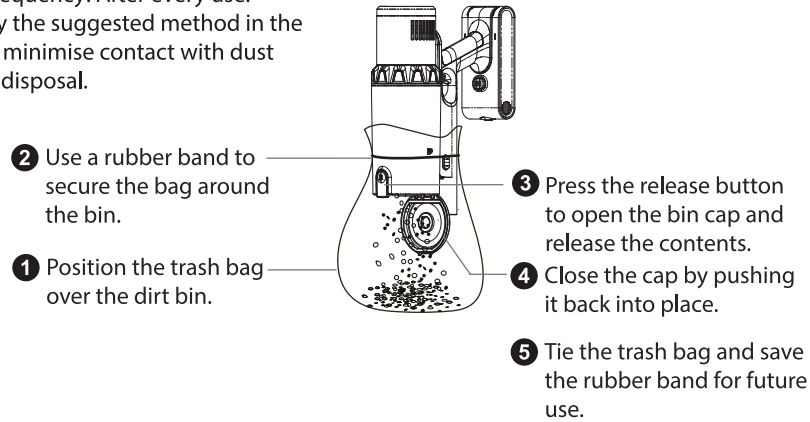
Empty the dirt bin after each use for best performance.

Regularly clean filters for efficiency.

Replace the pre-motor HEPA filter every 6 months or if airflow weakens, even after cleaning.

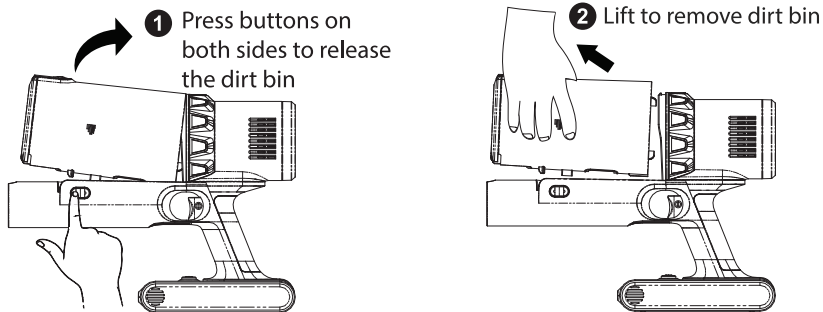
## Clearing the dirt bin

1. Cleaning frequency: After every use.
2. You may try the suggested method in the diagram to minimise contact with dust during dirt disposal.

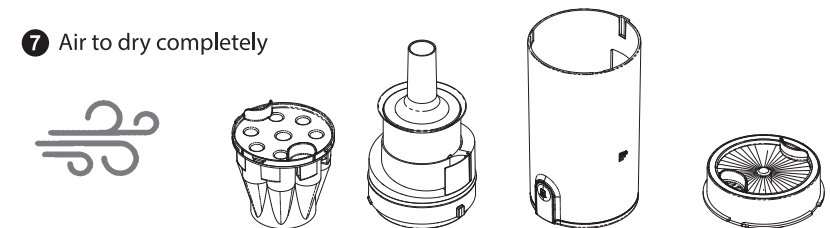
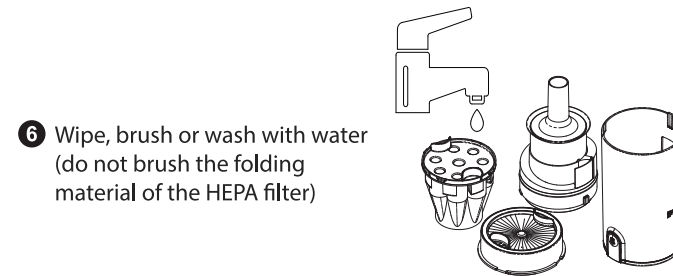
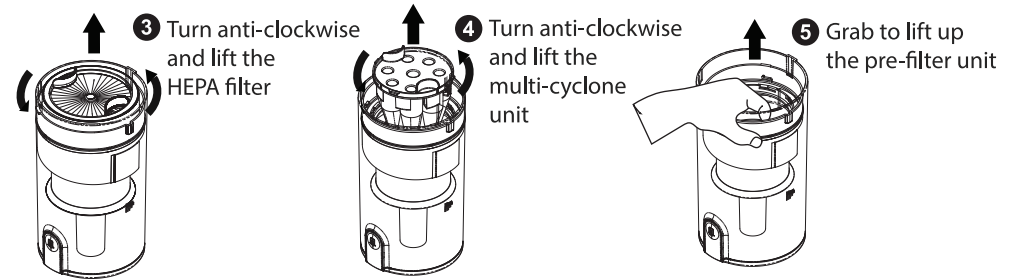


## Cleaning the dirt bin assembly

Detach the dirt bin assembly from the main unit.



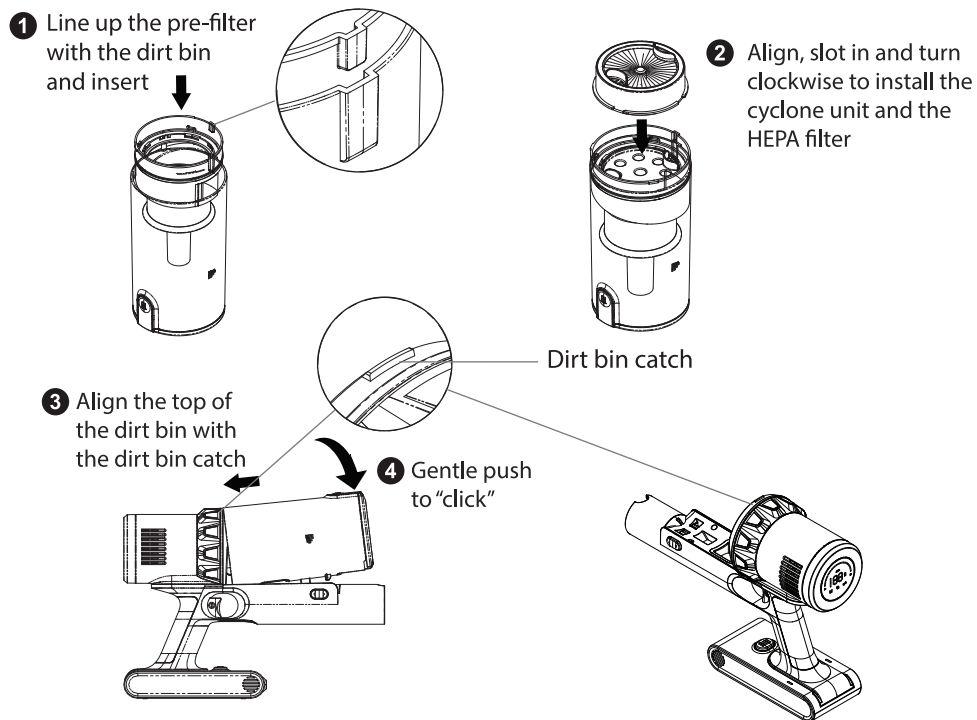
The frequency of cleaning various part in the dirt bin assembly can be varied. For example, the HEPA filter may be cleaned by knocking gently every week, while the entire assembly being washed every month.



### WARNING!

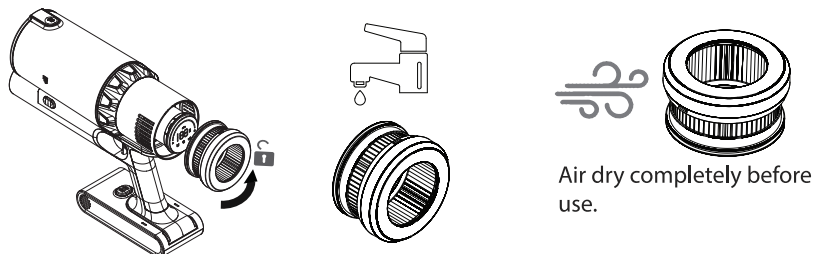
1. Avoid brushing the porous HEPA filter to prevent damage.
2. Do not immerse the HEPA and sponge filters in water for more than 10 minutes.
3. Only wash the filter assembly as specified; do not wash any other parts of the vacuum.

## Assembling the dirt bin unit



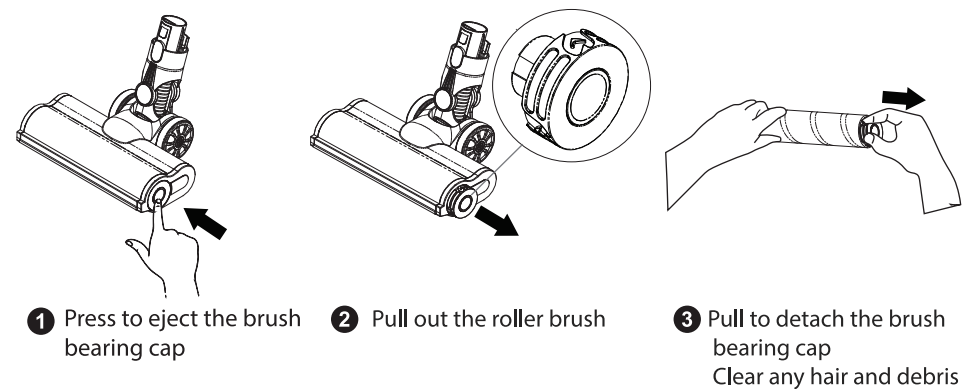
## Cleaning the HEPA filter

Clean the post-motor HEPA filter every 3 months or whenever necessary (low air flow or low suction power)

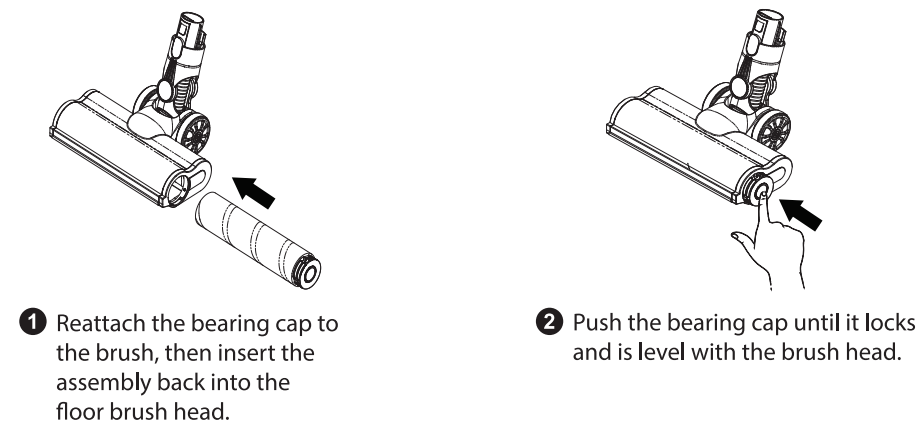


## Cleaning the roller brush

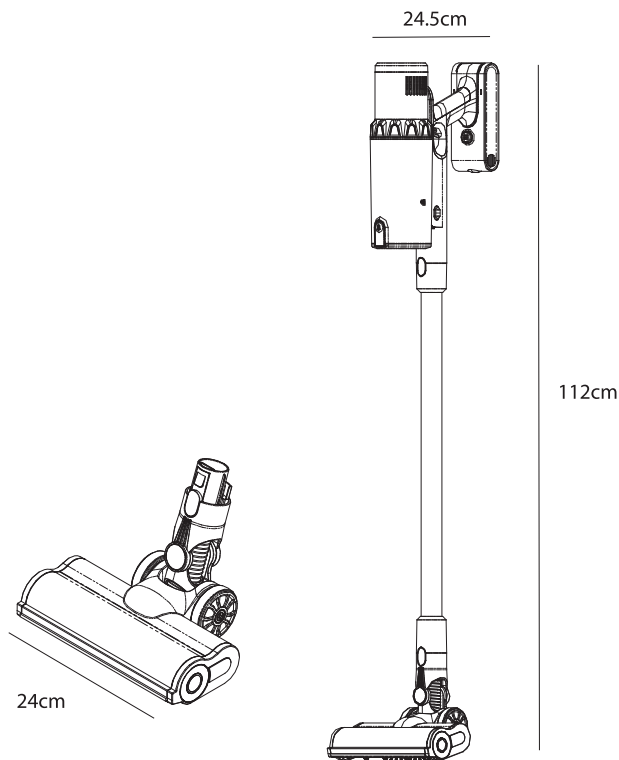
Perform brush cleaning weekly or as needed. Use the cleaning tool for quick removal of hair or debris from the brush.



## Putting back the roller brush



**WARNING!** DO NOT wash the roller brush to avoid rusting the metal ball bearing. If necessary (e.g., if soiled), tape to seal the ball bearing compartment before gently hand washing the brush with mild soap. Rinse and air dry thoroughly.



Power adaptor input	:	100 - 240VAC 50-60Hz 0.5A
Adaptor output	:	31VDC 0.5A
Battery	:	Li-ion 25.9V
Chargin time	:	3.5-4.5hr
Run time	:	45-55min(L), 25-35min(M), 12-15min(H)
Product dimension	:	240(W) x 245(H) x 1120(L) mm
Net Weight	:	1.42 kg(main body) 2.2kg(with extension rod and motorised brush)

**NOTE:**

Charging and operation times can vary with ambient temperature, humidity and conditions of use. An automatic protection system is in place to safeguard the motor and battery if temperatures exceed or drop below the recommended range.

	Symptoms	Possible Causes	Suggested Solutions
1	<ul style="list-style-type: none"> <li>Cannot turn on</li> </ul>	<ul style="list-style-type: none"> <li>Low battery power.</li> <li>No power supply to the adaptor.</li> </ul>	<ul style="list-style-type: none"> <li>Charge the unit. The battery indicator light is blinking to indicate charging is in progress.</li> <li>Check and ensure that the power socket function properly using another device.</li> </ul>
2	<ul style="list-style-type: none"> <li>Battery is not charging.</li> </ul>	<ul style="list-style-type: none"> <li>Temperature protection triggered.</li> </ul>	<ul style="list-style-type: none"> <li>Let the machine cool down in a cool location for 30 minutes. This is normal when running at high suction mode continuously.</li> </ul>
3	<ul style="list-style-type: none"> <li>Fully charged but run for a few seconds only</li> </ul>	<ul style="list-style-type: none"> <li>Wrong power adaptor is used.</li> </ul>	<ul style="list-style-type: none"> <li>Check that you are using the correct and original power adaptor.</li> </ul>
4	<ul style="list-style-type: none"> <li>Weak suction</li> <li>Machine stop working with suction blockage indicator lit up</li> </ul>	<ul style="list-style-type: none"> <li>Filter is clogged by fine dust.</li> <li>Motorised brush is not spinning.</li> <li>Air passage is clogged by foreign object.</li> </ul>	<ul style="list-style-type: none"> <li>Clean filter regularly. Refer to Maintenance section.</li> <li>Remove hair and foreign object from the brush. Remove compressed hair strains from the bearing. Refer to Maintenance section.</li> <li>Check and remove any foreign object at the floor brush, extension rod, main body air inlet and dirt bin.</li> </ul>
5	<ul style="list-style-type: none"> <li>Motor sounds abnormal when running</li> </ul>	<ul style="list-style-type: none"> <li>Vacuum inlet or filter is clogged.</li> </ul>	<ul style="list-style-type: none"> <li>Clear blockage along brush inlet, extension rod and dirt bin, and clean filter.</li> </ul>
6	<ul style="list-style-type: none"> <li>Main brush not spinning</li> </ul>	<ul style="list-style-type: none"> <li>Brush is stuck.</li> </ul>	<ul style="list-style-type: none"> <li>Remove any foreign object that caused the brush to cut off power automatically.</li> <li>If there is no foreign object (it may have dropped off), restart the vacuum.</li> </ul>

**NOTE:**

- Do not return the vacuum to the retailer; they do not offer after-sales service.
- If issues persist, contact the service center at 603-77288166 or email [crm@corvan.com.my](mailto:crm@corvan.com.my) for further assistance.

Corvan Asia Sdn Bhd (Corvan) warrants to the original purchaser (“you” or “your”) that your Corvan Cordless Vacuum Cleaner (“Product”) shall be free from defects in material and workmanship for 1 year from the date of original purchase.

### Remedies

To the maximum extent permitted by applicable law, Corvan’s entire liability and your exclusive remedy for any breach of warranty during the applicable warranty period shall be, at Corvan’s option, to repair or replace the parts or the Product, provided that the Product is returned to the point of purchase or such other place as Corvan may direct with a copy of the sales receipt or dated itemized receipt. Shipping, handling charges and payment gateway charges may apply. Corvan may, at its option, use new or refurbished or used parts in good working condition to repair or replace any Products. Any replacement Product will be warranted for the remainder of the original warranty period.

### How to Obtain Warranty Support

Before submitting a warranty claim, we recommend you to contact Corvan’s technical support at 603-77288166 or email [crm@corvan.com.my](mailto:crm@corvan.com.my) for technical assistance.

### Exclusions

This warranty does not cover power adapter (charger) and consumables including filters and brushes. Problems or damages resulting from (1) accident, abuse, misapplication, or any unauthorized repair, modification or disassembly of the Product; (2) improper operation or maintenance, usage not in accordance with Products instructions or connection to improper voltage supply; (3) negligent in use or care, neglect or careless operation of the Product; (4) use of consumables, parts and accessories including batteries other than those produced or recommended by Corvan are not covered under this warranty. In addition, to the maximum extent permitted by applicable law, this warranty does not cover Product (1) used and claimed outside the country of purchase; (2) not purchased from an authorized dealer of Corvan; (3) repaired or altered by parties other than Corvan, or its authorized agents; (4) whose serial numbers have been altered or removed; or (5) damaged from external sources such as transit, weather, electrical outages or POWER SURGE.

TO THE MAXIMUM EXTENT PERMITTED BY APPLICABLE LAW, THE WARRANTIES SET OUT ABOVE ARE EXCLUSIVE AND IN LIEU OF ALL OTHER WARRANTIES OR TERMS AND CONDITIONS, AND WARRANTIES WHETHER EXPRESS, IMPLIED OR STATUTORY INCLUDING, WITHOUT LIMITATION, ANY WARRANTIES OR TERMS AND CONDITIONS OF MERCHANTABILITY, SATISFACTORY QUALITY, FITNESS FOR A PARTICULAR PURPOSE OR NON-INFRINGEMENT ARE EXPRESSLY DISCLAIMED BY CORVAN AND ITS SUPPLIERS. NO OTHER WARRANTIES OR GUARANTEES, WHETHER EXPRESS OR IMPLIED, GIVEN BY ANY PERSON, FIRM OR CORPORATION WITH RESPECT TO THIS PRODUCT SHALL BE BINDING ON CORVAN.

### Limitation of Liability

TO THE MAXIMUM EXTENT PERMITTED BY APPLICABLE LAW, CORVAN SHALL NOT BE LIABLE FOR LOSS, WHETHER DIRECT OR INDIRECT, OF REVENUE OR PROFITS, FAILURE TO REALIZE SAVINGS OR OTHER BENEFITS OR OTHER FINANCIAL LOSS, OR ANY OTHER SPECIAL, INCIDENTAL OR CONSEQUENTIAL DAMAGES CAUSED BY THE USE, MISUSE OR INABILITY TO USE THIS PRODUCT, REGARDLESS OF THE LEGAL THEORY ON WHICH THE CLAIM IS BASED, AND EVEN IF CORVAN HAS BEEN ADVISED OF THE POSSIBILITY OF SUCH DAMAGES.

TO THE MAXIMUM EXTENT PERMITTED BY APPLICABLE LAW, CORVAN’S ENTIRE LIABILITY SHALL BE LIMITED, AT CORVAN’S OPTION, TO REPLACEMENT OR REPAIR OF THE PRODUCT OR REFUND OF THE PURCHASE PRICE PAID. THIS LIMITED WARRANTY SHALL NOT EXTEND TO ANYONE OTHER THAN THE ORIGINAL PURCHASER OF THIS PRODUCT AND IS NON-TRANSFERABLE.

### No Other Warranties

No Corvan dealer, agent, or employee is authorized to make any modification, extension, or addition to this warranty.

### Governing Law

This Limited Warranty shall be governed by the laws of Malaysia.  
March 1, 2024

## Corvan®

Corvan Service Centre  
T01, Atria Shopping Gallery, Damansara Jaya,  
47400 Petaling Jaya, Selangor, Malaysia.  
Tel: 603-7728 8166  
Email: [crm@corvan.com.my](mailto:crm@corvan.com.my)  
[www.corvan.com.my](http://www.corvan.com.my)

Corvan is a registered trademark of Corvan Asia Sdn Bhd (1114403-X).

All rights reserved

NOTE

NOTE