

Corvan®

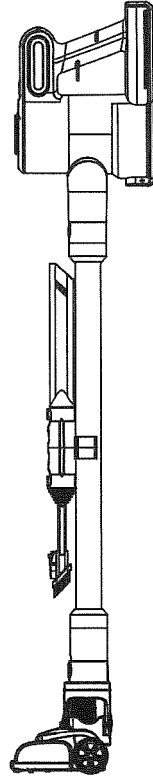
CORDLESS VACUUM CLEANER

K6 SERIES

PRODUCT WARRANTY



www.corvan.com.my/warranty



USER MANUAL

Please read this manual carefully before using this product.
We hope you enjoy using this product as much as we enjoyed
developing it and using it daily.

EN

MY

CH

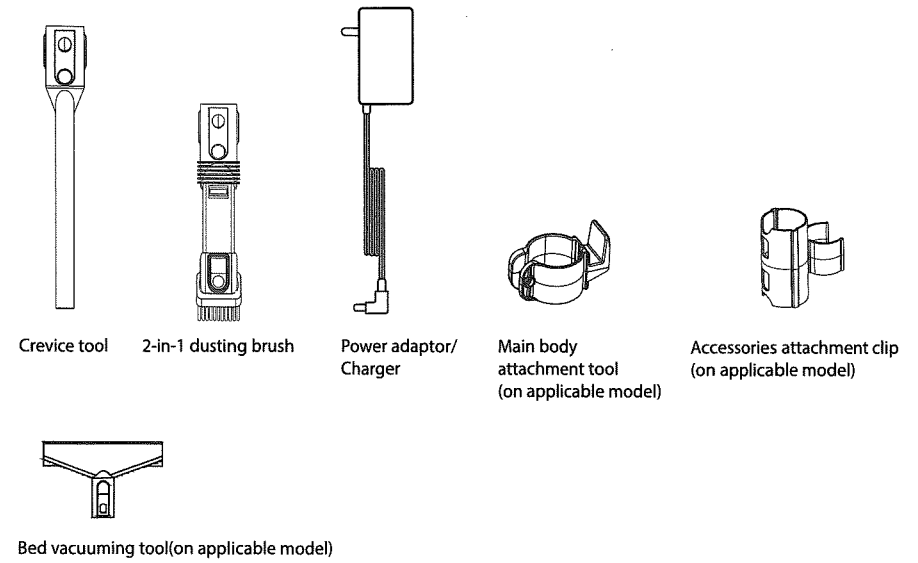
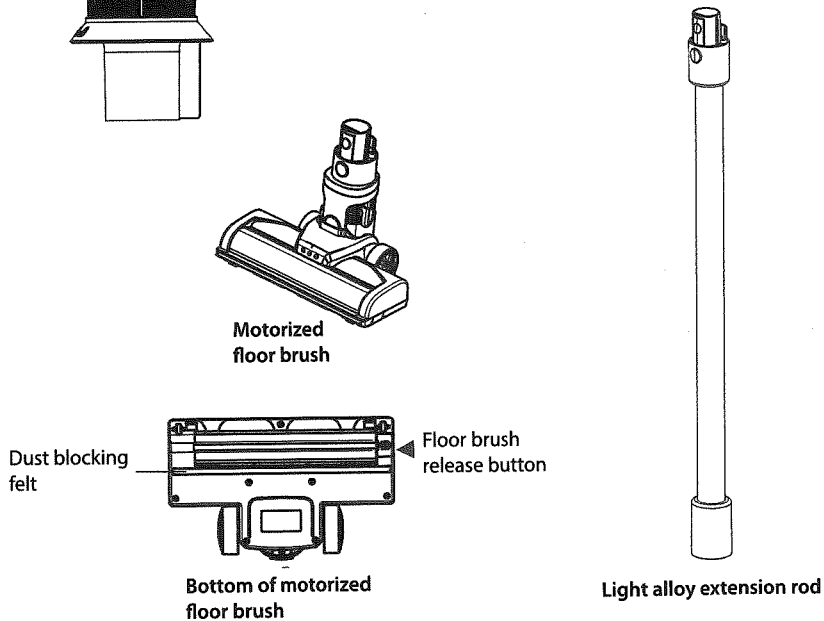
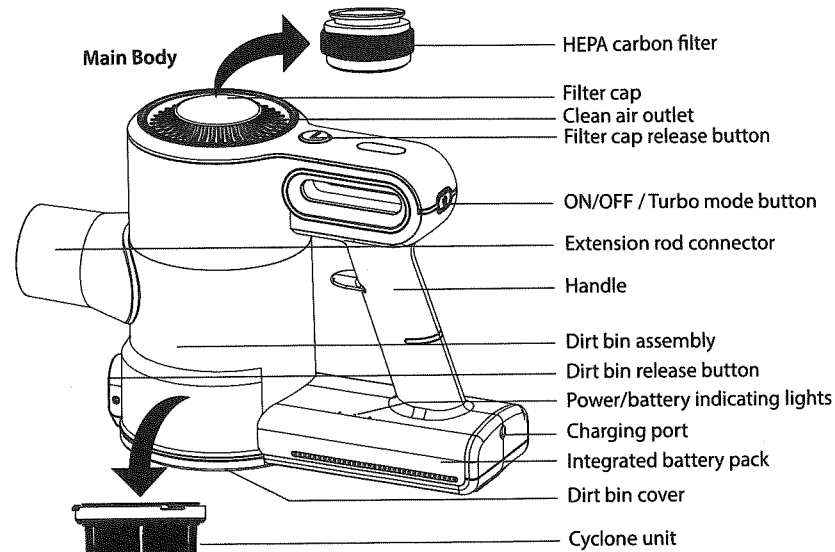
TABLE OF CONTENTS	_____	2
IMPORTANT SAFETY INSTRUCTIONS	_____	3
PRODUCT PARTS	_____	4-5
PREPARING TO USE	_____	6-7
USING	_____	8-9
CLEANING AND MAINTENANCE	_____	10-12
TECHNICAL SPECIFICATIONS	_____	13
TROUBLESHOOTING	_____	14
WARRANTY POLICY	_____	15-16

Before using the Corvan cordless vacuum cleaner, please read this user manual carefully.

1. It is a must to check all the following instructions carefully before using this vacuum.
2. When you are using the vacuum, please follow the instructions on operation below.
3. Only use the vacuum in a suitable environment.
4. This vacuum is not designed for use by persons (including children) with reduced physical, sensory or mental capacities or lack of experience and knowledge, unless supervised by a person responsible for their safety.
5. If the vacuum or power adaptor is damaged, please return it to the authorized service center for service or replacement to avoid personal injury.
6. Children below age 8 are not allowed to use this vacuum.
7. Children of age 8 and above are only allowed to use this vacuum in the company of their custodian.
8. This vacuum is NOT a toy. Please pay special attention when you are using it around a child, pet or plant.
9. To avoid injury or electric shock, please do not attempt to repair the vacuum.
10. When charging the vacuum, connect the power adaptor to the power socket first and then to the unit.
11. Keep hair, cloth and any part of your body away from the brush and/or suction inlet.
12. Do not pick up hot ash / cigarette butts / matches and flammable liquid, such as gasoline.
13. Watch the steps when using the vacuum on stairs.
14. Do not use the vacuum if the filter is not fitted into the appliance.
15. This vacuum is designed for domestic use following this instruction manual.
16. Do not keep the vacuum in charging status if you are planning to be away for a long time.
17. To avoid electric shock, please do not dip any part of the vacuum into liquid.
18. Use only genuine spare parts and accessories from Corvan.
19. Charge the battery of the vacuum with correct voltage rating stated in the product specification on page 12.
20. Store the vacuum in a cool and dry place.
21. Regularly maintain the vacuum and empty the dirt bin to ensure its proper operation.
22. Please return the faulty or malfunctioning vacuum to the authorized service center.

WARNING:

To reduce the risk of electric shock, please do not store or use the vacuum in damp areas or outdoors.



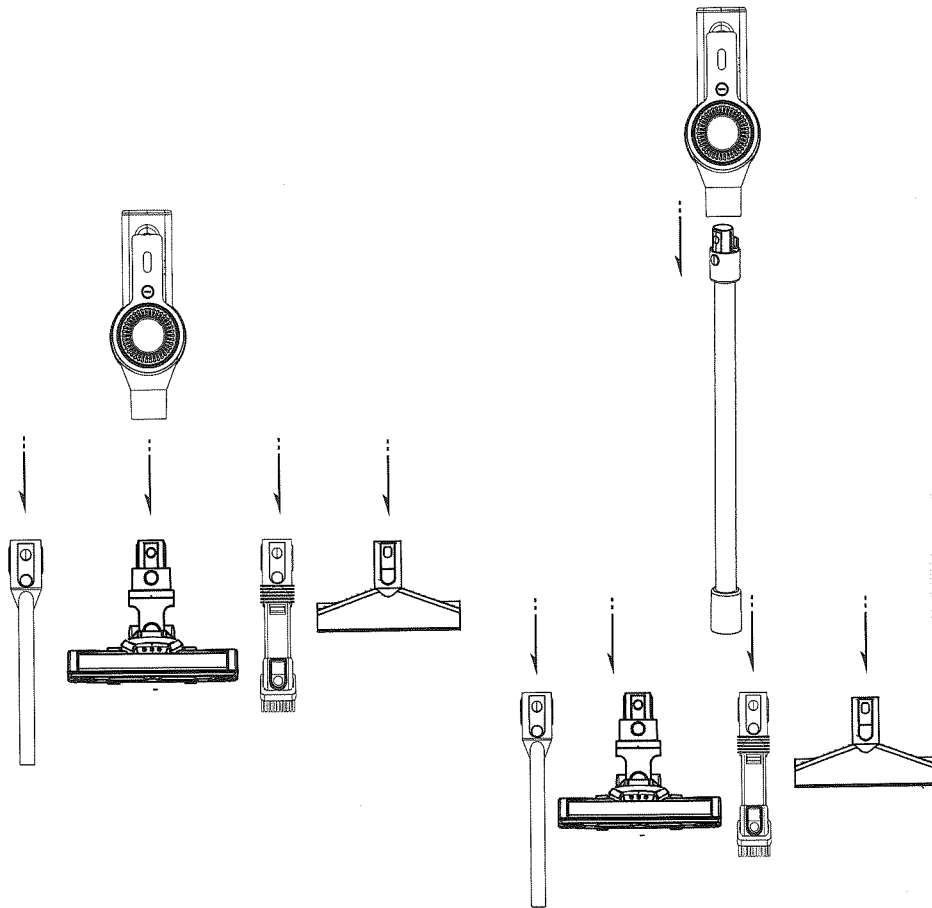
What's in the package

Main body	x 1
Motorized floor brush	x 1
Crevice tool	x 1
2-in-1 dusting brush	x 1
Light alloy extension rod	x 1
Bed vacuuming tool (on applicable model)	x 1
Accessories attachment clip (on applicable model)	x 1
Main body attachment tool (on applicable model)	x 1
Power adaptor/Charger	x 1
This User Manual	x 1

NOTE: Accessories contained in the package may vary due to continuous improvement or according to various model number.

Main body and accessories/cleaning tools assembly

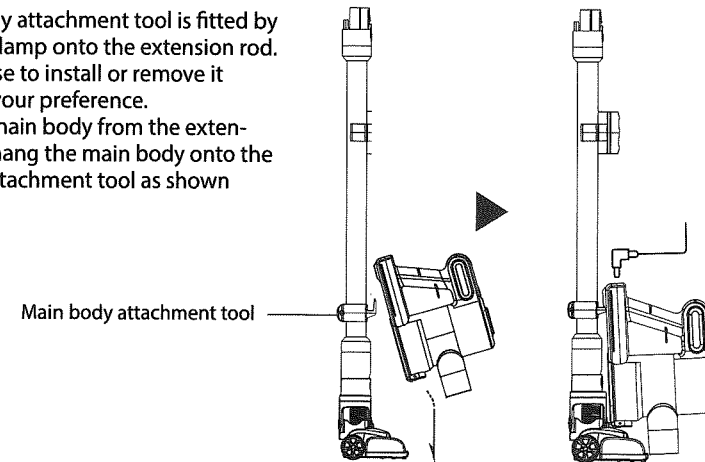
Align the main body, extension rod and the cleaning tool as shown and insert until they "click". To remove any attachments/accessories, press and hold the button, and pull to remove.



NOTE: All cleaning tools/accessories included are compatible with both the main body and the extension rod.

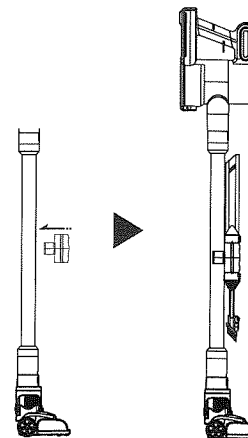
Standalone storage (on applicable model)

1. The main body attachment tool is fitted by tightening a clamp onto the extension rod. You can choose to install or remove it according to your preference.
2. Remove the main body from the extension rod and hang the main body onto the hook of the attachment tool as shown below.



Accessories attachment (on applicable model)

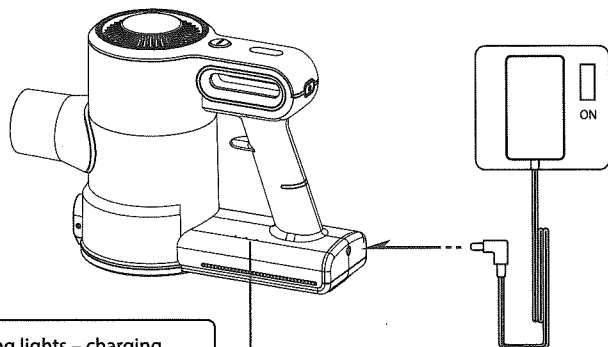
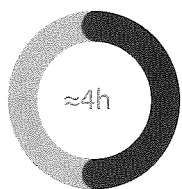
1. Push to clip the accessories attachment tool onto the extension rod at any convenient position.
2. Insert the accessories to "click".
3. Pull gently to remove. DO NOT use excessive force.



WARNING: DO NOT lean the vacuum against any surface (wall, edge of table, cabinet, etc) in upright position for support at any time to avoid damaging the main body, in case it accidentally falls. Lay the vacuum flat on the floor away from traffic flow.

Charging the battery

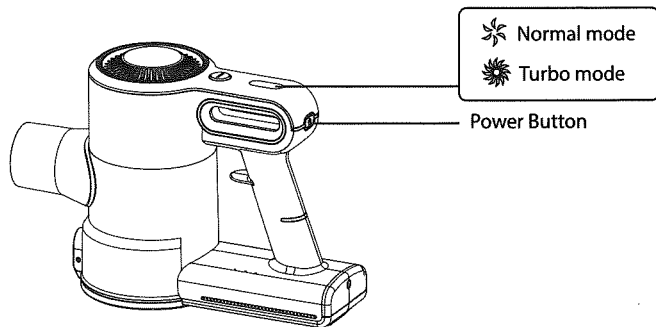
1. Plug in the power adapter output plug into the charging port of the main body.
2. Switch on the power supply at the wall socket.
3. Power/battery indicating lights blink to indicate charging is in progress till all the 3 battery indicating lights stay constant.
4. Charging time is approximately 4 hours from flat to fully charged.



- 1. Blinking lights – charging
- 2. Solid lights – fully charged

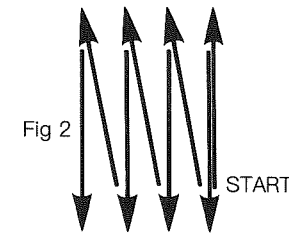
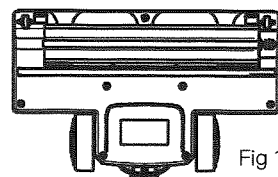
Turn on the vacuum cleaner

1. Press the Power button once to turn on the vacuum cleaner at the default "Normal" suction mode.
2. Press the Power button again to turn on Turbo mode.
3. Press the Power button again to turn off the vacuum cleaner.



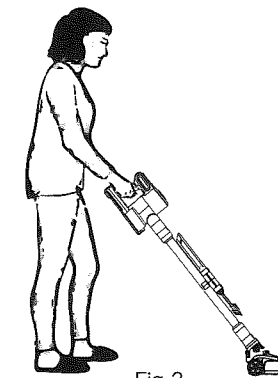
Using the motorized floor brush

1. The motorized floor brush can be used on any hard floor and short pile carpet.
2. The underside of the motorised brush comes with a strip of dust blocking felt (Fig 1) for effective dust pick up. DO NOT move the motorised brush backward towards the dirt to be picked up.
3. Move in forward direction to pick up dirt, pull back along the cleaned track, turn slightly and push forward to continue picking up the next track of dirt in ladder pattern (Fig 2).
4. The brush motor is designed with self-protection function. Power to the brush motor will be cut off (idle mode) to prevent the motor from being damaged if the brush cannot turn freely (e.g. stuck). The vacuum continue to run even when the brush is in idle mode.



IMPORTANT TIPS:

1. Stand upright, keep your arm bent naturally and relax your shoulders and arms.
2. Use pendulum motion to swing your arm forward and backward while turning the handle slightly to change direction (as shown in Fig 3).
3. To change direction significantly (e.g. vacuum between chairs) move your legs and body to change direction so that your body is always perpendicular to the vacuum.
4. DO NOT twist your wrist excessively or raise your shoulder/arm to vacuum at an awkward angle. This may cause injury to your muscles/joints.



Using other accessories

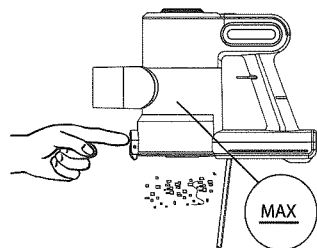
1. The 2-in-1 dusting brush : The soft bristle is suitable for cleaning uneven surfaces like keyboards and books that require brushing and vacuuming at the same time. When the bristle is retracted, it can be used to vacuum tight spaces.
2. The crevice tool : Suitable for vacuuming deep and narrow spaces.

Maintaining the filtration system and brushes

For hygienic reasons, it is recommended to clear the dirt bin after every use. Always keep the HEPA filter clean. Replace the HEPA filter yearly or whenever the air flow is still weak right after cleaning.

Clearing the dirt bin

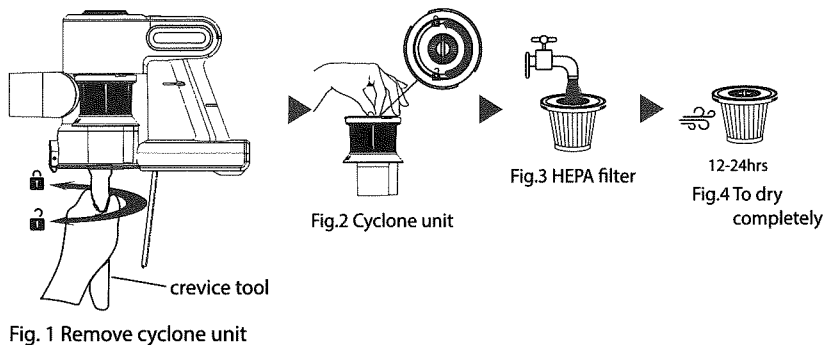
Push the dirt bin release button for the dirt bin cover to drop down.



Cleaning the HEPA filter

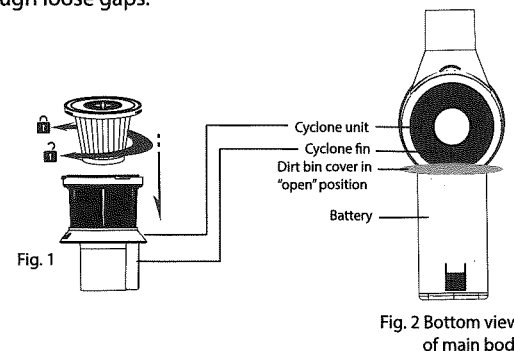
1. Insert the crevice tool into the cyclone unit (Fig 1) or grip the cyclone unit with hand and slightly turn anti-clockwise to take out the cyclone unit.
2. Turn the HEPA filter clockwise to separate it from the cyclone unit (Fig 2).
3. Knock the plastic frame gently against a hard surface to shake off fine dust.
4. If necessary, wash the HEPA filter with a water hose (Fig 3) or dip it into water and shake. Dry it thoroughly (12 to 24 hours) before installing back into the cyclone unit.

WARNING: DO NOT wash any other part of the vacuum except the filter assembly.



Reassembling the HEPA filter

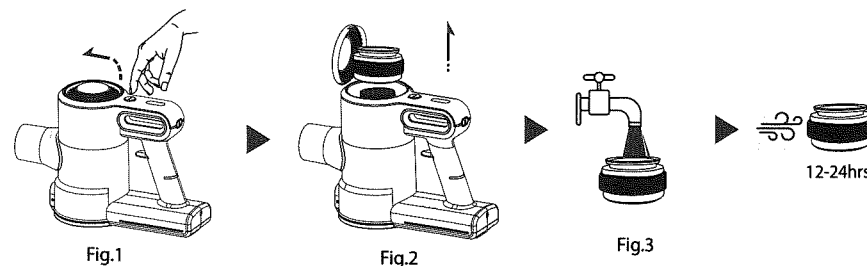
1. To reassemble, place back the clean HEPA filter and lock into position following the marking on the cyclone unit (Fig 1).
2. Place the cyclone unit into the dirt bin with the cyclone fin pointing towards the battery (Fig 2).
3. Ensure the cyclone unit is locked properly into position (Fig 1) to prevent fine dust from escaping through loose gaps.



Cleaning the HEPA carbon filter

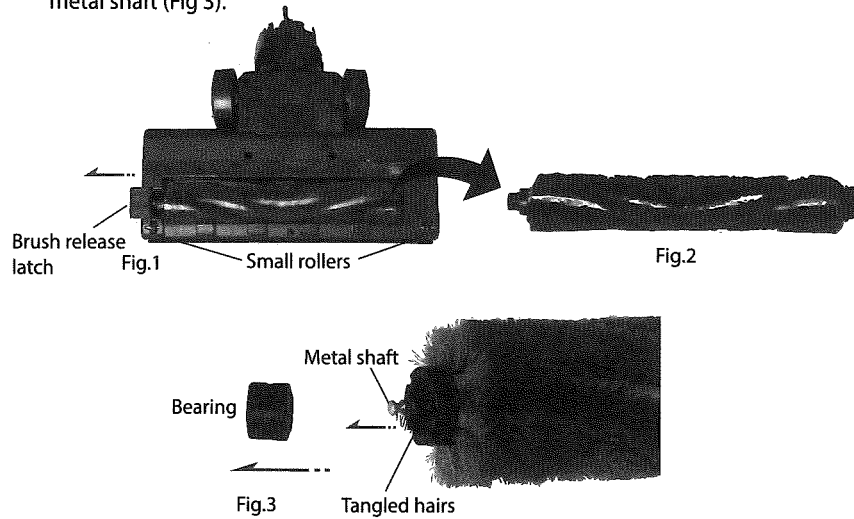
1. Press the filter release button and lift the filter cap (Fig 1).
2. Grip the HEPA filter and lift straight up (Fig 2).
3. Knock gently to loosen fine dust.
4. If necessary, wash the HEPA filter with a water hose (Fig 3) or dip it into water and shake. Dry it thoroughly (12 to 24 hours) before installing back into the cyclone unit.

WARNING: DO NOT soak HEPA filter in water for more than 10 minutes.



Cleaning brush and bearing

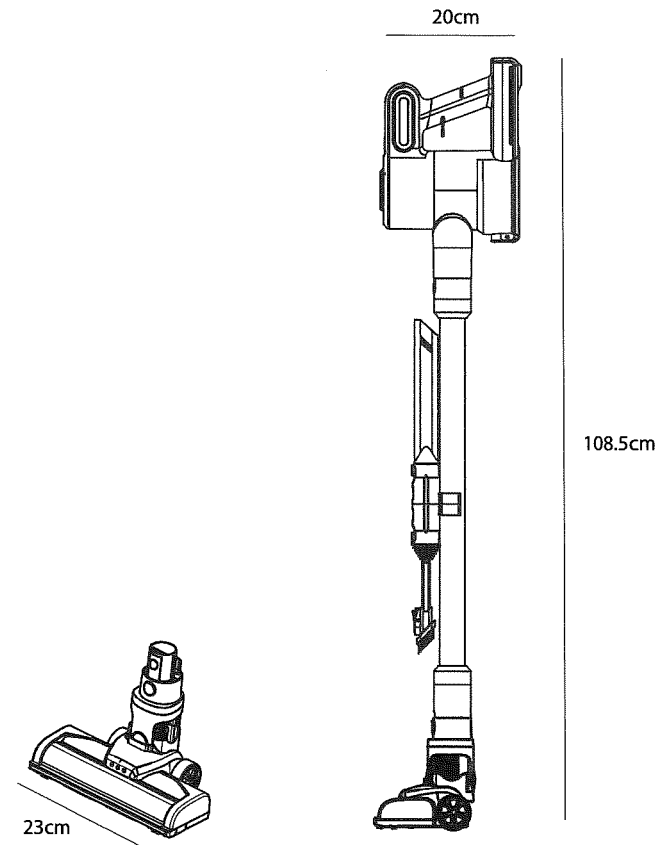
1. Slide out the brush release latch (Fig 1). Lift the brush to remove.
2. Cut and pull any hair or string to clean (Fig 2).
3. Use a pair of tweezers to pull any hair off the small rollers (Fig 1).
3. If necessary, e.g. if accidentally run through sugary liquid, wash the brush with running water and leave to dry (12 hours) before installing back. Pull to remove the bearing before washing.
4. Pull to separate the bearing from the brush, check and remove hairs wrapped around the metal shaft (Fig 3).



Battery pack replacement

1. The Li-ion rechargeable battery pack is one of the wear and tear parts. Use and charge in a cool environment, occasionally discharge (run till battery low) and charge till full can help to prolong its useful life.
2. The battery capacity (vacuum run time) will reduce gradually over time. In the event the vacuum runs for less than 15 minutes or less every time it is fully charged, it is time to buy a new original replacement battery and have it replaced by an authorised service center.

NOTE: If the vacuum is not going to be used for more than 2 months, fully charge before disconnecting the power adaptor and store it in a cool and dry place.



Power adaptor input	:	100 - 240VAC 50-60Hz 0.4A
Adaptor output	:	27VDC 0.5A
Battery	:	Li-ion 22.2V 2200mAh 48.84 Wh
Product dimension	:	230(W) x 200(D) x 1085(H) mm
Net Weight	:	1.2 kg(main body) 1.9kg(with extension rod and motorised brush)

No.	Symptoms	Possible Causes	Suggested Solutions
1	Cannot turn on	<ul style="list-style-type: none"> • Low battery power. • No power supply to the adaptor. 	<ul style="list-style-type: none"> • Charge the unit to use. The power/ battery indicating lights should blink. • Ensure that the power socket is working. Verify with another appliance.
2	Fully charged but run for a few seconds only	<ul style="list-style-type: none"> • Wrong power adaptor is used. 	<ul style="list-style-type: none"> • Check that you are using the correct adaptor with output voltage 27VDC.
3	Weak suction	<ul style="list-style-type: none"> • Filter is clogged by fine dust. • Motorised brush is not spinning. 	<ul style="list-style-type: none"> • Clean filter regularly. Refer to Maintenance section. • Remove hair and foreign object from the brush. Remove compressed hair strains from the bearing. Refer to Maintenance section.
4	Motor sounds abnormal when running	<ul style="list-style-type: none"> • Vacuum inlet or filter is clogged. 	<ul style="list-style-type: none"> • Clear blockage along brush inlet, extension rod and dirt bin, and clean filter.
5	Main brush not spinning	<ul style="list-style-type: none"> • Brush is stuck. 	<ul style="list-style-type: none"> • Remove any foreign object that caused the brush to cut off power automatically. • If there is no foreign object (it may have dropped off), restart the vacuum.

NOTE:

1. Do not return the vacuum to the retailer as they do not provide service.
2. If symptom persists, please contact service centre at 603-77288166 or email crm@corvan.com.my for further assistance.

Corvan Asia Sdn Bhd (Corvan) warrants to the original purchaser ("you" or "your") that your Corvan Cordless Vacuum Cleaner product hardware shall be free from defects in material and workmanship for 1 year and the brushless motor of the vacuuming turbine (jointly named "Product") shall be free from defects in material and workmanship for 5 years from the date of original purchase.

Remedies

To the maximum extent permitted by applicable law, Corvan's entire liability and your exclusive remedy for any breach of warranty during the applicable warranty period shall be, at Corvan's option, to repair or replace the Product, provided that the Product is returned to Corvan service center or such other place as Corvan may direct with a copy of the sales receipt or dated itemized receipt. Shipping, handling charges and bank credit card commission may apply. Corvan may, at its option, use new or refurbished or used parts in good working condition to repair or replace any Products. Any replacement Product will be warranted for the remainder of the original warranty period.

How to Obtain Warranty Support

Before submitting a warranty claim, we recommend you to contact Corvan's technical support at 603-77288166 or email crm@corvan.com.my for technical assistance.

Exclusions

This warranty does not cover power adapter (charger) and consumables including filters and brushes. Problems or damages resulting from (1) accident, abuse, misuse, or any unauthorized repair, modification or disassembly of the Product; (2) improper operation or maintenance, usage not in accordance with Products instructions or connection to improper voltage supply; (3) negligent use or care, neglect or careless operation of the Product; (4) use of consumables, parts and accessories including batteries other than those produced or recommended by Corvan are not covered under this warranty. In addition, to the maximum extent permitted by applicable law, this warranty does not cover Product (1) used and claimed outside the country of purchase; (2) not purchased from an authorized dealer of Corvan; (3) repaired or altered by parties other than Corvan, or its authorized agents; (4) whose serial numbers have been altered or removed; or (5) damaged from external sources such as transit, weather, electrical outages or POWER SURGE.

TO THE MAXIMUM EXTENT PERMITTED BY APPLICABLE LAW, THE WARRANTIES SET OUT ABOVE ARE EXCLUSIVE AND IN LIEU OF ALL OTHER WARRANTIES OR TERMS AND CONDITIONS, AND WARRANTIES WHETHER EXPRESS, IMPLIED OR STATUTORY INCLUDING, WITHOUT LIMITATION, ANY WARRANTIES OR TERMS AND CONDITIONS OF MERCHANTABILITY, SATISFACTORY QUALITY, FITNESS FOR A PARTICULAR PURPOSE OR NON-INFRINGEMENT ARE EXPRESSLY DISCLAIMED BY CORVAN AND ITS SUPPLIERS. NO OTHER WARRANTIES OR GUARANTEES, WHETHER EXPRESS OR IMPLIED, GIVEN BY ANY PERSON, FIRM OR CORPORATION WITH RESPECT TO THIS PRODUCT SHALL BE BINDING ON CORVAN.

Limitation of Liability

TO THE MAXIMUM EXTENT PERMITTED BY APPLICABLE LAW, CORVAN SHALL NOT BE LIABLE FOR LOSS, WHETHER DIRECT OR INDIRECT, OF REVENUE OR PROFITS, FAILURE TO REALIZE SAVINGS OR OTHER BENEFITS OR OTHER FINANCIAL LOSS, OR ANY OTHER SPECIAL, INCIDENTAL OR CONSEQUENTIAL DAMAGES CAUSED BY THE USE, MISUSE OR INABILITY TO USE THIS PRODUCT, REGARDLESS OF THE LEGAL THEORY ON WHICH THE CLAIM IS BASED, AND EVEN IF CORVAN HAS BEEN ADVISED OF THE POSSIBILITY OF SUCH DAMAGES.

TO THE MAXIMUM EXTENT PERMITTED BY APPLICABLE LAW, CORVAN'S ENTIRE LIABILITY SHALL BE LIMITED, AT CORVAN'S OPTION, TO REPLACEMENT OR REPAIR OF THE PRODUCT OR REFUND OF THE PURCHASE PRICE PAID. THIS LIMITED WARRANTY SHALL NOT EXTEND TO ANYONE OTHER THAN THE ORIGINAL PURCHASER OF THIS PRODUCT AND IS NONTRANSFERABLE.

No Other Warranties

No Corvan dealer, agent, or employee is authorized to make any modification, extension, or addition to this warranty.

Governing Law

This Limited Warranty shall be governed by the laws of Malaysia.

August 30, 2021

Corvan®

Corvan Service Centre
A-3-9, 10 Boulevard, Lebuhraya Sprint,
47400 Petaling Jaya, Selangor, Malaysia.
Tel: 603-7728 8166
Email: crm@corvan.com.my
www.corvan.com.my

Corvan is a registered trademark of Corvan Asia Sdn Bhd (1114403-X).

All rights reserved