

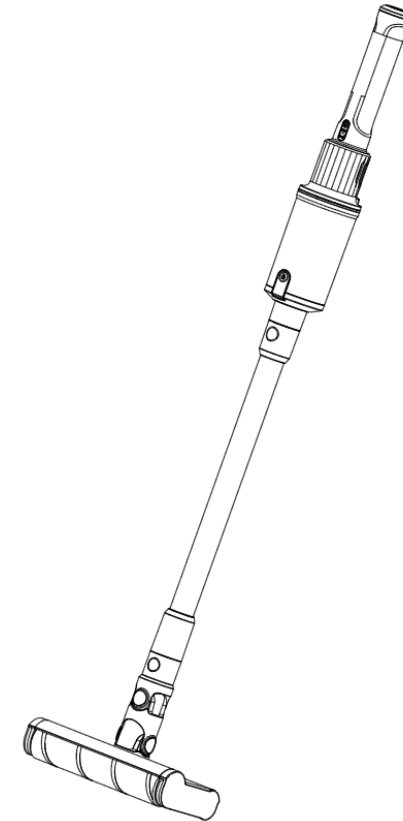
# Corvan®

## CORDLESS VACUUM CLEANER

### FlexiGlide G8

Thank you for  
purchasing Corvan product.

Please visit [www.corvan.com.my/warranty](http://www.corvan.com.my/warranty) to register your product's warranty and keep up to date on more amazing products from Corvan.



## Corvan®

Corvan Service Centre  
T01, Atria Shopping Gallery, Damansara Jaya,  
47400 Petaling Jaya, Selangor, Malaysia.  
Tel: 603-7728 8166  
Email: [crm@corvan.com.my](mailto:crm@corvan.com.my)  
[www.corvan.com.my](http://www.corvan.com.my)

Corvan is a registered trademark of Corvan Asia Sdn Bhd.  
COPYRIGHT 2024 ALL RIGHTS RESERVED

## USER MANUAL ver. 02.24

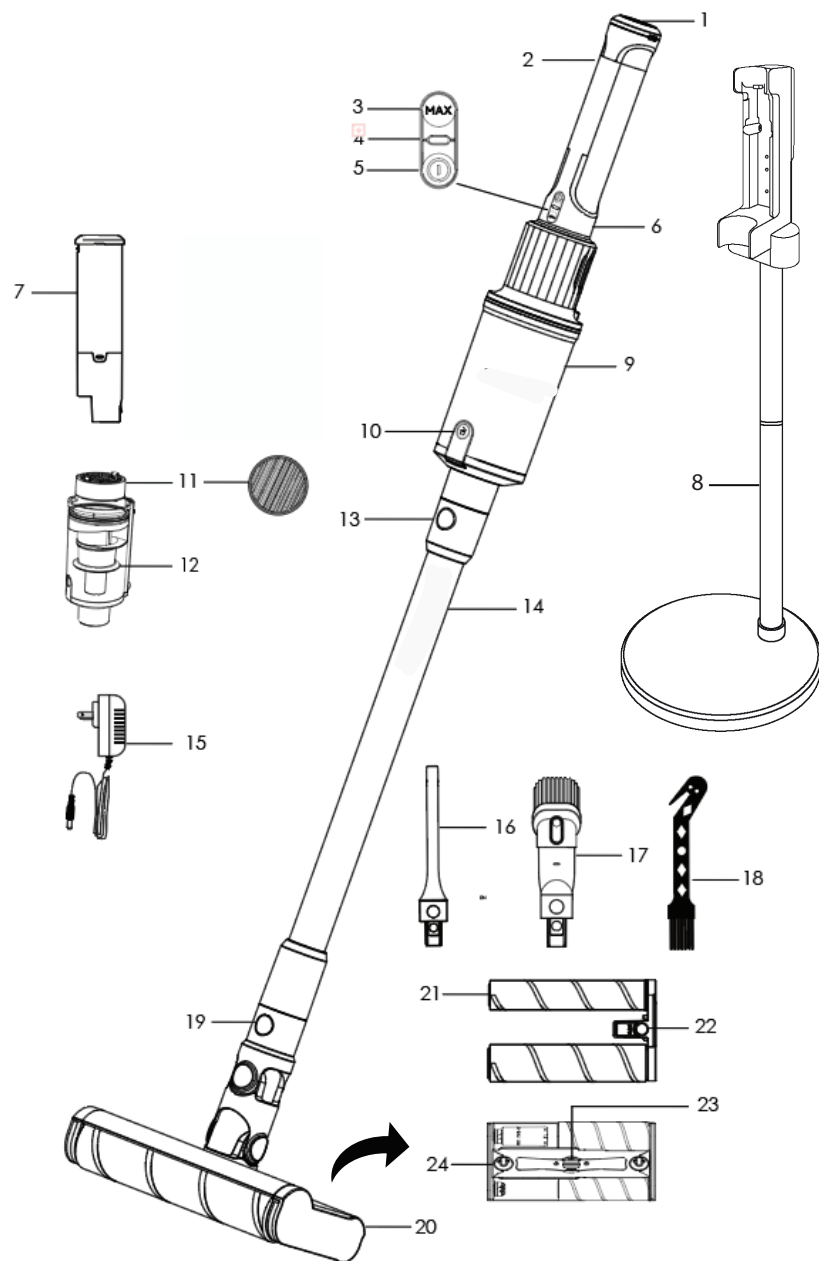
Please read this manual carefully before using this product.  
We hope you enjoy using this product as much as we enjoyed  
developing it and using it daily.

EN

|                               |       |
|-------------------------------|-------|
| TABLE OF CONTENTS             | 2     |
| IMPORTANT SAFETY INSTRUCTIONS | 3     |
| PRODUCT PARTS                 | 4-5   |
| PREPARING TO USE              | 6-8   |
| USING                         | 9-10  |
| CLEANING AND MAINTENANCE      | 11-14 |
| TECHNICAL SPECIFICATIONS      | 15    |
| TROUBLESHOOTING               | 16    |
| WARRANTY POLICY               | 17-18 |

Before using the Corvan cordless vacuum cleaner(product), please read this user manual carefully.

1. It is essential to carefully review all instructions before using this product.
2. Follow the operation instructions below when using the product.
3. Only use the product in a suitable environment.
4. This product is not intended for use by individuals, including children, with reduced physical, sensory, or mental capacities, or lack of experience and knowledge, unless under supervision by someone responsible for their safety.
5. If the product or power adapter is damaged, return it to the authorized service center for servicing or replacement to prevent personal injury.
6. Children under the age of 8 are not permitted to use this product.
7. Children aged 8 and above may use this product only under adult supervision.
8. This product is not a toy. Exercise caution when using it around children, pets, or plants.
9. To avoid injury or electric shock, do not attempt to repair the product yourself.
10. When charging, connect the power adapter to the wall outlet first, and then to the product's input port.
11. Keep hair, clothing, and body parts away from the brush and suction inlet.
12. Do not vacuum up hot ash, cigarette butts, matches, or flammable liquids such as gasoline.
13. Use caution when using the product on stairs.
14. Do not operate the vacuum without the filter properly installed.
15. This product is intended for domestic use as directed in this manual.
16. If you will be away for an extended period, fully charge the vacuum and then disconnect it from the power source.
17. To prevent electric shock, do not immerse any part of the vacuum in liquid.
18. Use only genuine Corvan spare parts and accessories. Using other types or brands of batteries may cause an explosion, leading to damage and potential injury.
19. Charge the vacuum battery using the voltage rating specified in the product specifications on page 15.  
Store the vacuum in a cool and dry place.
20. Maintain the vacuum regularly and empty the dirt bin to ensure proper operation.
21. Return any faulty or malfunctioning vacuum to the authorized service center.
22. Do not charge the battery or appliance outside the specified temperature range.
23. Charging with an incorrect power adapter rating or at temperatures outside the specified range may damage the battery and increase the risk of fire.
24. To optimize battery life, store the appliance at room temperature between 18°C (64°F) to 28°C (82°F) when not in use. The recommended temperature range for operation and charging is 10°C (50°F) to 30°C (86°F).



- |                                      |                                |
|--------------------------------------|--------------------------------|
| 1 Battery pack release button        | 13 Extension rod lock          |
| 2 Handle                             | 14 Extension rod               |
| 3 Suction level selection            | 15 Power Adaptor               |
| 4 Battery and Error indicating light | 16 Crevice tool                |
| 5 ON/OFF button                      | 17 2-in-1 dusting tool         |
| 6 Charging port                      | 18 Cleaning tool               |
| 7 Li-ion battery pack                | 19 Extension rod lock          |
| 8 Independent stand                  | 20 Motorised floor brush       |
| 9 Dirt bin                           | 21 Roller brush                |
| 10 Dirt bin lock                     | 22 Roller brush release button |
| 11 HEPA filter                       | 23 Vacuuming inlet             |
| 12 Pre-filter                        | 24 Swivel wheel                |

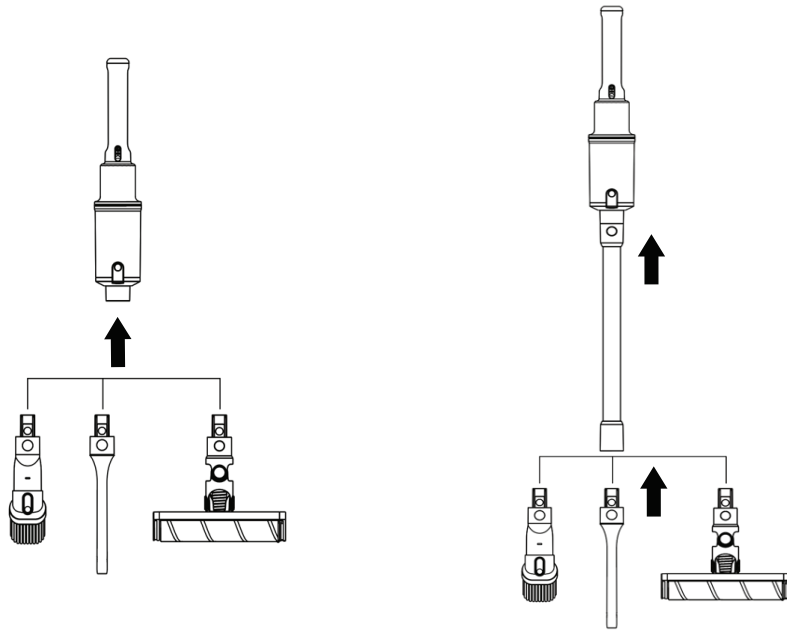
**What's in the package**

|                           |     |                            |     |
|---------------------------|-----|----------------------------|-----|
| Main body                 | x 1 | Cleaning tool              | x 1 |
| Motorized floor brush     | x 1 | Power adaptor/Charger      | x 1 |
| Crevice tool              | x 1 | Independent stand          | x 1 |
| 2-in-1 dusting tool       | x 1 | (on applicable model only) |     |
| Light alloy extension rod | x 1 | User manual                | x 1 |

NOTE: The attachments and accessories included in the package may differ due to ongoing product improvements or model variations.

Main body and accessories/cleaning tools assembly

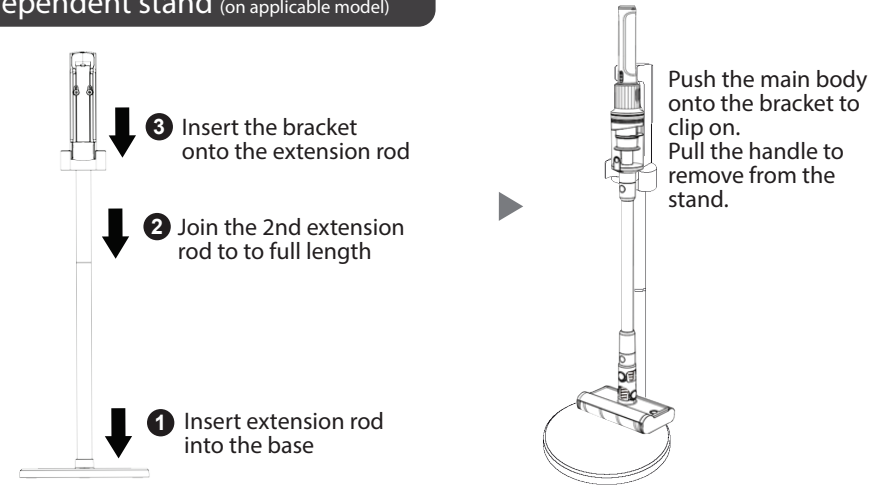
To assemble, align the main body, extension rod, and the attachment as shown. Insert them together until you hear a 'click' indicating secure attachment. To detach any accessory, press and hold the locking/release button and pull the accessory away to remove it.



NOTE: All attachment included are compatible with the main body and the extension rod.

**WARNING!** Do not prop the vacuum in an upright position against any surfaces such as walls, tables, or cabinets. This could cause damage if the vacuum slips and falls.

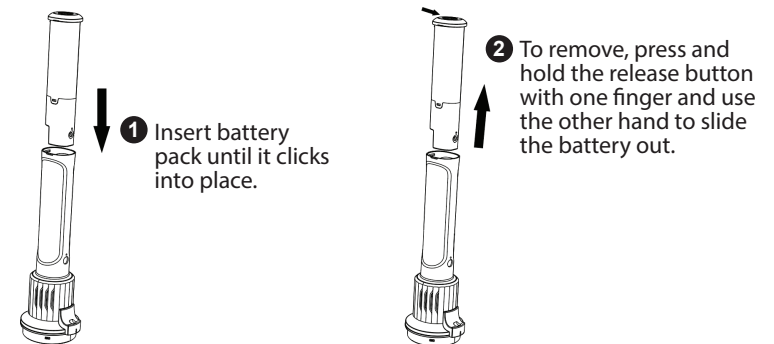
Independent stand (on applicable model)



Li-ion battery pack

1. The Corvan FlexiGlide G8 cordless vacuum includes a high-capacity, swappable Li-ion rechargeable battery pack. If you have an additional battery pack, we recommend alternating between them to maintain consistent performance.
2. Battery capacity, which determines the vacuum's runtime, will diminish over time. If the vacuum operates for less than 10 minutes on a full charge, it is time to obtain a replacement battery.

**NOTE:** If the vacuum will not be used for over two months, fully charge the battery before disconnecting the power adapter and store the unit in a cool, dry place.



## Charging the battery

1. Your FlexiGlide offers two charging methods; for details, see Figures 1 and 2.
2. The power/battery indicator will blink red to indicate charging is in progress.
3. The charging duration ranges from approximately 2.5 to 4 hours, transitioning from low power (red) to full charge (green).

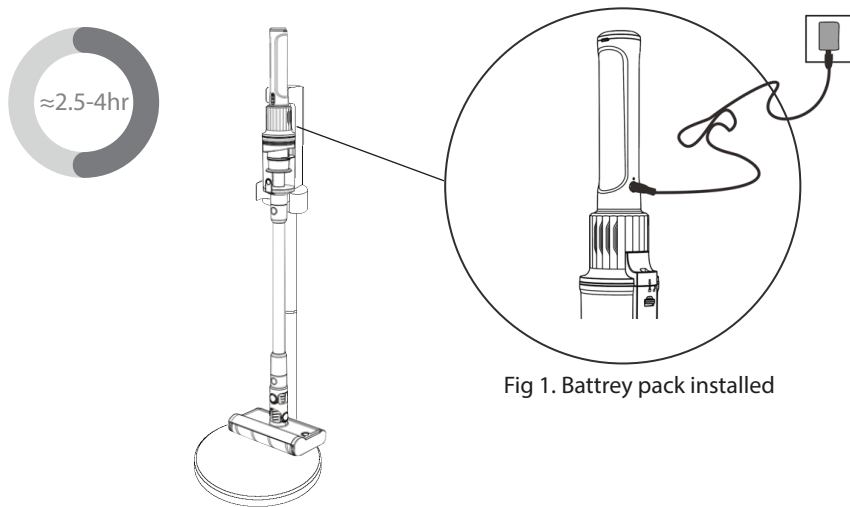


Fig 1. Battery pack installed

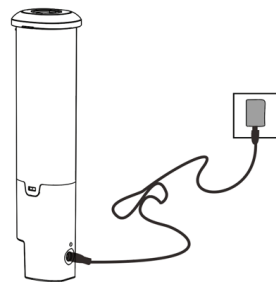
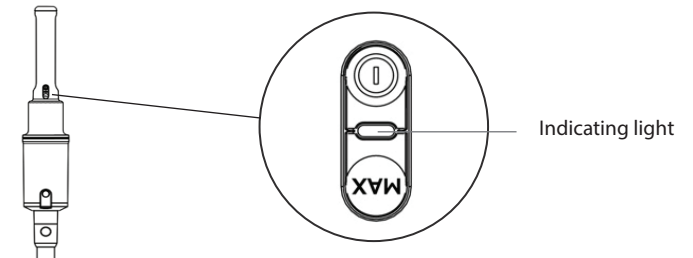


Fig 2. Battery pack uninstalled

## Turn on the vacuum cleaner

1. Press the ON/OFF button once to turn on the vacuum; it starts in Standard suction mode by default.
2. Press the ON/OFF button again to turn the vacuum off.
3. Press the MAX button to activate high suction mode. Note that using MAX mode will decrease the vacuum's run time.
4. The indicator light will show green in Standard mode and red in MAX mode.

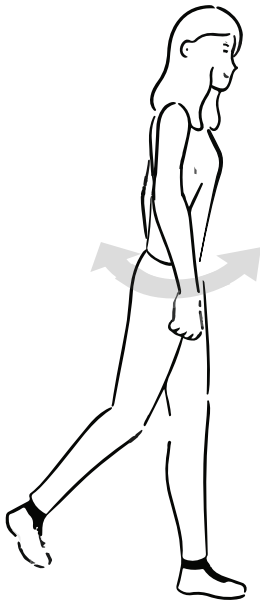


## Using the motorized floor brush

1. The motorized floor brush is suitable for use on any hard floor and short-pile carpets for surface cleaning.
2. The vacuum is optimized for superior cleaning performance on hard floors.
3. You can maneuver the motorized brush in any direction — forward, backward, diagonally, or in an S-shape — to effectively capture dirt.
4. The brush motor includes a self-protection feature that automatically cuts off power to prevent damage if the brush cannot rotate freely, for instance, if it's obstructed by a foreign object or encounters too much resistance on carpet. If this occurs, turn off the vacuum, clear any obstruction, and press the power button to restart. Avoid using the vacuum under these conditions.

Using the motorized floor brush

1. Correct use of the Corvan FlexiGlide G8 should not lead to muscle fatigue.
2. If your arm or hand becomes tired during use, switch hands to distribute the effort.
3. Activate MAX mode for vacuuming hair or pet fur and for tasks that require increased suction power.



**IMPORTANT TIPS:**

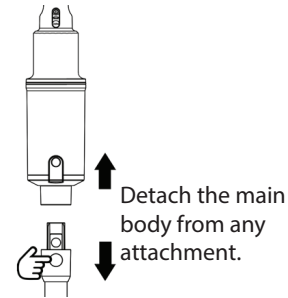
1. Stand upright and lean slightly forward, keeping your arm bent naturally and your shoulders and arms relaxed.
2. Swing your arm forward and backward in a pendulum motion, turning the handle slightly to steer.
3. Avoid twisting your wrist or overextending your shoulder or arm to reach difficult angles, as this may lead to muscle or joint injury.

For optimal performance, empty the dirt bin after each use and ensure filters are kept clean.

Replace the sponge and HEPA filters annually, or sooner if you notice reduced airflow despite thorough cleaning and drying.

Clearing the dirt bin

Cleaning frequency: After every use.



Detach the main body from any attachment.



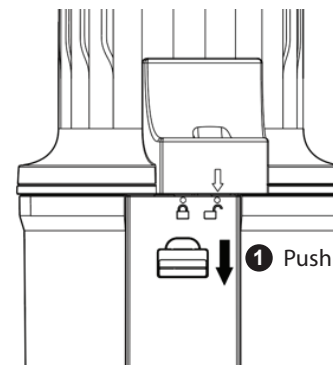
Press dirt bin release button to release the dirt bin cover

Rubber band

Rubbish bag

Cleaning the cyclone unit and HEPA filter

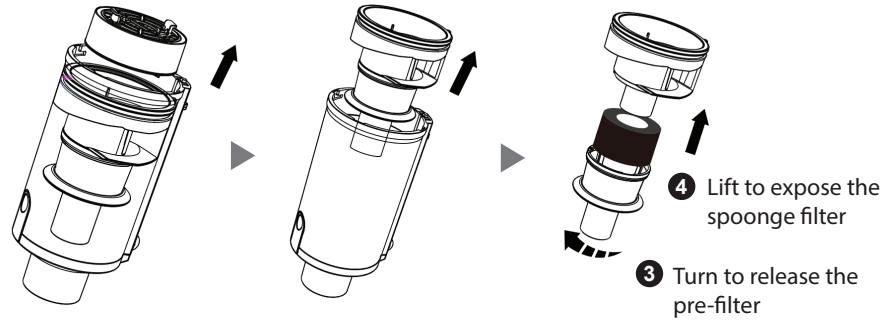
Cleaning frequency: 3 to 5 uses or whenever you notice a decrease in airflow.



1 Push dirt bin lock to unlock

2 Turn the handle anti-clock wise to separate the main body from the dirt bin.

**WARNING!** DO NOT wash the dirt bin due to the electrical wiring inside.

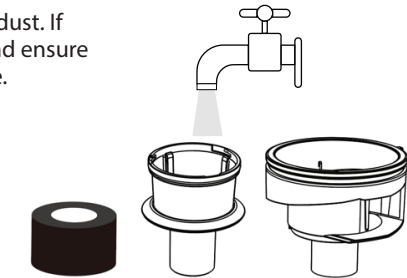


- 1 Lift to remove HEPA filter
- 2 Lift to remove the cyclone unit.

**NOTE:** Pay attention to the position and markings when dismantling the vacuum. To reassemble, reverse the order of steps and align the positions and markings accordingly for proper use.

### Cleaning the filtration set

- 1 Gently tap the HEPA filter to remove dust. If washing is needed, do so carefully and ensure it is completely air-dried before reuse.

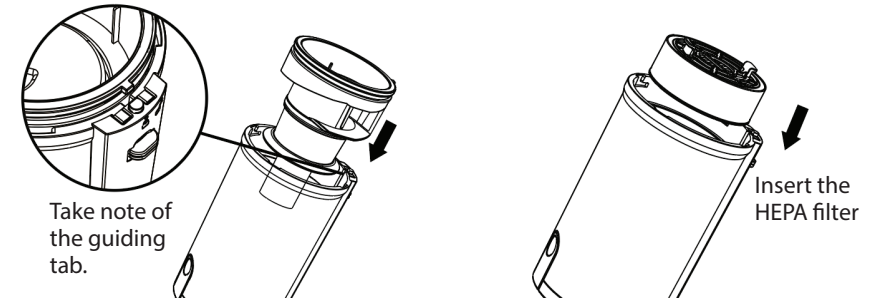
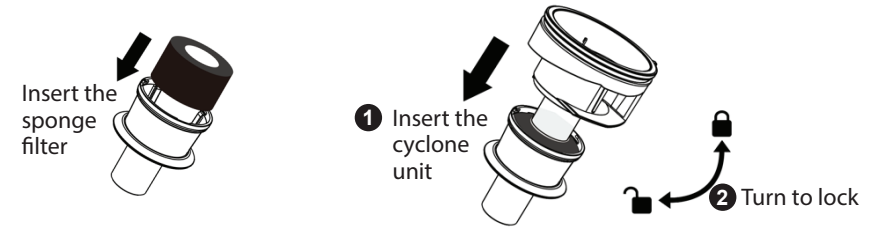


- 2 Rinse the sponge filter, pre-filter, and cyclone unit with water. Make sure all parts are air-dried completely before reassembly or next use.

**WARNING!**

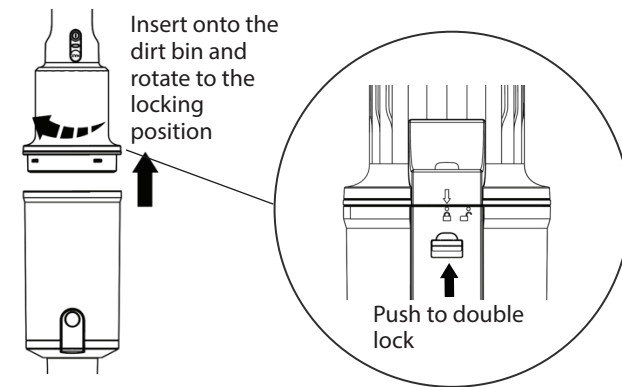
1. Avoid brushing the porous HEPA filter to prevent damage.
2. Do not immerse the HEPA and sponge filters in water for more than 10 minutes.
3. Only wash the filter assembly as specified; do not wash any other parts of the vacuum.

### Reassembling to use



Take note of the guiding tab.

Insert the HEPA filter



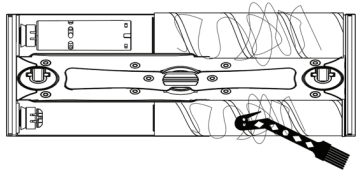
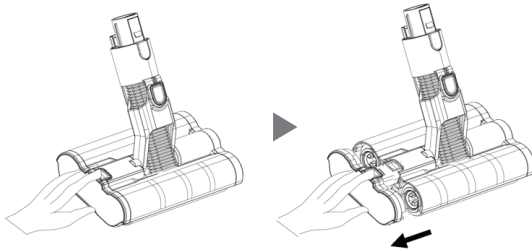
Insert onto the dirt bin and rotate to the locking position

Push to double lock

## Cleaning the brush and bearing

Cleaning frequency: Every 3 to 5 uses or whenever necessary.

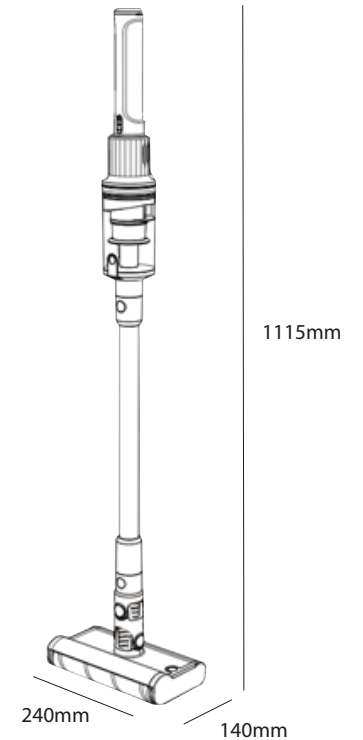
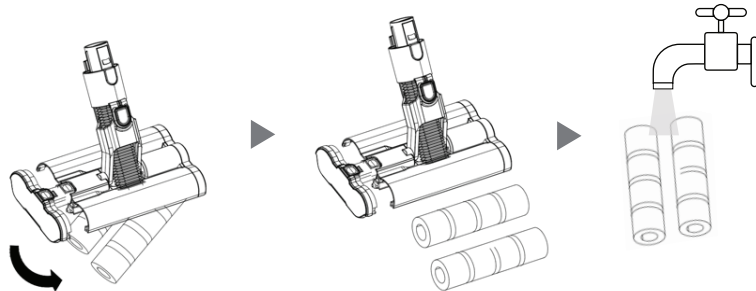
- 1 Press release button and pull out the roller brush set at the same time.



- 2 Use the provided cleaning tool to remove any debris or hair from the brush roller. Ensure that the swivel wheels rotate freely. If needed, apply a small amount of lubricating oil such as "WD-40" to the wheels.

## Washing the fluffy brush

If the roller brush comes into contact with a sugary liquid, wash it under running water as necessary. Before washing, remove the brush roller holder. Air dry completely before reuse. Do not submerge the fluffy brush roller in water, and avoid washing any electronic components.



|                     |   |  |
|---------------------|---|--|
| Power adaptor input | : | 100 - 240VAC 50-60Hz 0.5A  |
| Adaptor output      | : | 18VDC 0.8A   |
| Battery             | : | Li-ion 14.8V 2200mAH   |
| Chargin time        | : | 2.5-4hr  |
| Run time            | : | 30-40min(L), 15-18min(H)   |
| Product dimension   | : | 240(W) x 140(D) x 1115(H) mm   |
| Net Weight          | : | 0.86 kg(main body)<br>2.38kg(with extension rod and motorised floor brush) |

### NOTE:

Charging and operation times can vary with ambient temperature, humidity and conditions of use. An automatic protection system is in place to safeguard the motor and battery if temperatures exceed or drop below the recommended range.

|   | Symptoms   | Possible Causes  | Suggested Solutions  |
|---|--|--|--|
| 1 | <ul style="list-style-type: none"> <li>Cannot turn on</li> </ul>   | <ul style="list-style-type: none"> <li>Low battery power.</li> <li>No power supply to the adaptor.</li> </ul>  | <ul style="list-style-type: none"> <li>Charge the unit. The battery indicator light is blinking to indicate charging is in progress.</li> <li>Check and ensure that the power socket function properly using another device.</li> </ul>  |
| 2 | <ul style="list-style-type: none"> <li>Battery is not charging. Battery indicating light is flashing.</li> </ul>                               | <ul style="list-style-type: none"> <li>Temperature protection triggered.</li> </ul>  | <ul style="list-style-type: none"> <li>Let the machine cool down in a cool location for 30 minutes. This is normal when running at high suction mode continuously.</li> </ul>  |
| 3 | <ul style="list-style-type: none"> <li>Fully charged but run for a few seconds only.</li> </ul>  | <ul style="list-style-type: none"> <li>Wrong power adaptor is used.</li> </ul>   | <ul style="list-style-type: none"> <li>Check that you are using the correct and original power adaptor.</li> </ul>   |
| 4 | <ul style="list-style-type: none"> <li>Weak suction</li> <li>Machine stop working with battery and error indicating light flashing.</li> </ul> | <ul style="list-style-type: none"> <li>Filter is clogged by fine dust.</li> <li>Motorised brush is not spinning.</li> <li>Air passage is clogged by foreign object.</li> </ul> | <ul style="list-style-type: none"> <li>Clean filters regularly (refer to Maintenance section). Replace HEPA and sponge filter when necessary.</li> <li>Remove hair and foreign object from the brush. Remove compressed hair strains from the brush bearing (refer to Maintenance section).</li> <li>Check and remove any foreign object at the floor brush, extension rod, main body air inlet and dirt bin.</li> </ul> |
| 5 | <ul style="list-style-type: none"> <li>Motor sounds abnormal when running.</li> </ul>  | <ul style="list-style-type: none"> <li>Vacuum inlet or filter is clogged.</li> </ul>   | <ul style="list-style-type: none"> <li>Clear blockage along floor brush inlet, extension rod and dirt bin, and clean filters.</li> </ul>   |
| 6 | <ul style="list-style-type: none"> <li>Floor brush roller not spinning.</li> </ul>   | <ul style="list-style-type: none"> <li>Brush is stuck.</li> </ul>  | <ul style="list-style-type: none"> <li>Remove any foreign object that caused the brush to cut off power automatically.</li> <li>If there is no foreign object (it may have dropped off), restart the vacuum.</li> </ul>  |

**NOTE:**

- Do not return the vacuum to the retailer as they do not provide after sales service.
- If symptom persists, please contact service centre at 603-77288166 or email [crm@corvan.com.my](mailto:crm@corvan.com.my) for further assistance.

Corvan Asia Sdn Bhd (Corvan) warrants to the original purchaser (“you” or “your”) that your Corvan Cordless Vacuum Cleaner (“Product”) shall be free from defects in material and workmanship for 1 year from the date of original purchase.

**Remedies**

To the maximum extent permitted by applicable law, Corvan’s entire liability and your exclusive remedy for any breach of warranty during the applicable warranty period shall be, at Corvan’s option, to repair or replace the parts or the Product, provided that the Product is returned to the point of purchase or such other place as Corvan may direct with a copy of the sales receipt or dated itemized receipt. Shipping, handling charges and payment gateway charges may apply. Corvan may, at its option, use new or refurbished or used parts in good working condition to repair or replace any Products. Any replacement Product will be warranted for the remainder of the original warranty period.

**How to Obtain Warranty Support**

Before submitting a warranty claim, we recommend you to contact Corvan’s technical support at 603-77288166 or email [crm@corvan.com.my](mailto:crm@corvan.com.my) for technical assistance.

**Exclusions**

This warranty does not cover power adapter (charger) and consumables including filters and brushes. Problems or damages resulting from (1) accident, abuse, misapplication, or any unauthorized repair, modification or disassembly of the Product; (2) improper operation or maintenance, usage not in accordance with Products instructions or connection to improper voltage supply; (3) negligent in use or care, neglect or careless operation of the Product; (4) use of consumables, parts and accessories including batteries other than those produced or recommended by Corvan are not covered under this warranty. In addition, to the maximum extent permitted by applicable law, this warranty does not cover Product (1) used and claimed outside the country of purchase; (2) not purchased from an authorized dealer of Corvan; (3) repaired or altered by parties other than Corvan, or its authorized agents; (4) whose serial numbers have been altered or removed; or (5) damaged from external sources such as transit, weather, electrical outages or POWER SURGE.

TO THE MAXIMUM EXTENT PERMITTED BY APPLICABLE LAW, THE WARRANTIES SET OUT ABOVE ARE EXCLUSIVE AND IN LIEU OF ALL OTHER WARRANTIES OR TERMS AND CONDITIONS, AND WARRANTIES WHETHER EXPRESS, IMPLIED OR STATUTORY INCLUDING, WITHOUT LIMITATION, ANY WARRANTIES OR TERMS AND CONDITIONS OF MERCHANTABILITY, SATISFACTORY QUALITY, FITNESS FOR A PARTICULAR PURPOSE OR NON-INFRINGEMENT ARE EXPRESSLY DISCLAIMED BY CORVAN AND ITS SUPPLIERS. NO OTHER WARRANTIES OR GUARANTEES, WHETHER EXPRESS OR IMPLIED, GIVEN BY ANY PERSON, FIRM OR CORPORATION WITH RESPECT TO THIS PRODUCT SHALL BE BINDING ON CORVAN.

## Limitation of Liability

TO THE MAXIMUM EXTENT PERMITTED BY APPLICABLE LAW, CORVAN SHALL NOT BE LIABLE FOR LOSS, WHETHER DIRECT OR INDIRECT, OF REVENUE OR PROFITS, FAILURE TO REALIZE SAVINGS OR OTHER BENEFITS OR OTHER FINANCIAL LOSS, OR ANY OTHER SPECIAL, INCIDENTAL OR CONSEQUENTIAL DAMAGES CAUSED BY THE USE, MISUSE OR INABILITY TO USE THIS PRODUCT, REGARDLESS OF THE LEGAL THEORY ON WHICH THE CLAIM IS BASED, AND EVEN IF CORVAN HAS BEEN ADVISED OF THE POSSIBILITY OF SUCH DAMAGES.

TO THE MAXIMUM EXTENT PERMITTED BY APPLICABLE LAW, CORVAN'S ENTIRE LIABILITY SHALL BE LIMITED, AT CORVAN'S OPTION, TO REPLACEMENT OR REPAIR OF THE PRODUCT OR REFUND OF THE PURCHASE PRICE PAID.

THIS LIMITED WARRANTY SHALL NOT EXTEND TO ANYONE OTHER THAN THE ORIGINAL PURCHASER OF THIS PRODUCT AND IS NON-TRANSFERABLE.

## No Other Warranties

No Corvan dealer, agent, or employee is authorized to make any modification, extension, or addition to this warranty.

## Governing Law

This Limited Warranty shall be governed by the laws of Malaysia.

March 1, 2024

# Corvan<sup>®</sup>

Corvan Service Centre  
T01, Atria Shopping Gallery, Damansara Jaya,  
47400 Petaling Jaya, Selangor, Malaysia.  
Tel: 603-7728 8166  
Email: [crm@corvan.com.my](mailto:crm@corvan.com.my)  
[www.corvan.com.my](http://www.corvan.com.my)

Corvan is a registered trademark of Corvan Asia Sdn Bhd (1114403-X).

All rights reserved